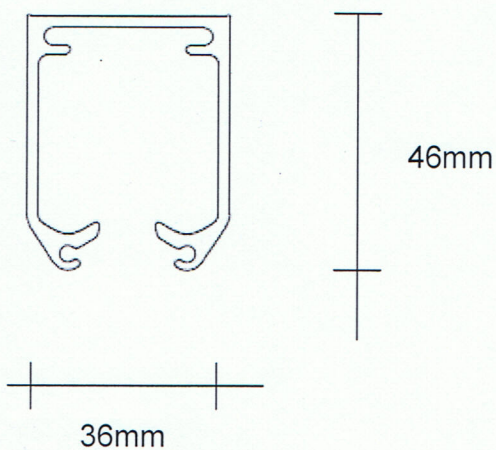


Track Detail



TRACK

Our track has been designed for added strength - extruded aluminium section 46mm high x 36mm wide. When curved tracks are required we will supply standard radius sections (45° and 90°) Refer to technical guides. Custom curve applications are available, the radius must be nominated (restrictions apply) and a template may be required.